

## OLUX® WATER-PROOF

### Data Sheet



OLUX WATER-PROOF is a functional water-, dust- and impact-proof luminaire designed with the concept of flexibility, sustainability and maintainability. The addition of anti-UV ingredient into the excellent impact-resist poly carbonate material makes it ideal for both outdoor and indoor lightings. It can be surface mounted (ceiling-mount and wall-mount) as well as suspension mounted. The excellent thermal management ensures reasonable ECG temperature for optimal operation.

#### BENEFITS

- **Available options**  
Single and twin T5 lamps of 14W, 28W, 35W.  
Single and twin T8 lamps of 18W, 36W, 58W.
- **Full protection**  
IP65 ensures jet-proof features and IK08 promises good resistance to impact. Vibration test and 650°C glow-wire test passed.
- **Anti-UV**  
Poly-carbonate cover with anti-UV additives, long-lasting for outdoor applications.
- **Optimum optical design**  
Excellent light distribution, light output and performance.
- **Environmental friendly**  
With high efficiency Electronic Control Gear.  
Contains no hazardous materials.

#### APPLICATIONS

- **Outdoor lighting**  
Station, garden, walkway, overpass.
- **Under-ground lighting**  
Underpass, pedestrian/bicycle tunnel, car parks.
- **Industrial lighting**  
For various dusty/wet/dirty environments, can withstand normal corrosion.

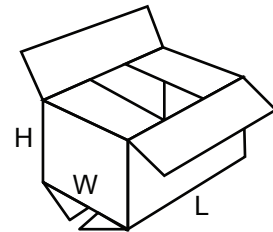
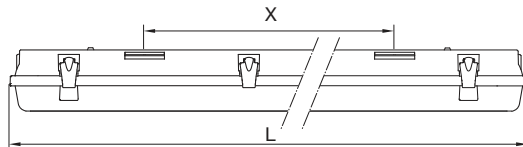
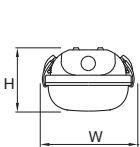
## SPECIFICATION

OLUX Water-proof		1X14W	2X14W	1X28W	2X28W	1X35W	2X35W	1X18W	2X18W	1X36W	2X36W	1X58W	2X58W
Light source*	Type	T5 Fluorescent Lamp, G5						T8 Fluorescent Lamp, G13					
	CCT	3000K, 4000K, 6500K											
	CRI	>80											
Electrical	Rated power	14W	28W	28W	56W	35W	70W	18W	36W	36W	72W	58W	116W
	System power**	17.6W	31.1W	29.7W	55.1W	35.4W	68.5W	17.5W	36.0W	31.0W	69.2W	48.3W	90.5W
	Input	220-240VAC 50/60Hz											
	Power factor	0.98											
	ESD protection	Contact ±4kV and Air ±8kV											
Mechanical	Mounting	Surface-mount and suspension-mount											
	Maintenance	both ECG & lamp can be replaced independently											
	Ambient	-10 °C ... +50°C (Ta in free air)											
	IP/IK	IP65/IK08											
	Class	Class I luminaire											
	Cover material	Anti-UV PC											
	Body material	PC											
Standard Compliance	Standard	IEC 60598-1; IEC 60598-2-1; CISPR 15; IEC 61347-1; IEC 61547; IEC 61000-3-2; IEC 61000-3-3; IEC 60695;											
	Flammability	IEC 60695											
	IK code	IEC 62262											
	Conformity	CE, CCC, CB											
	Environment	RoHS											

\*Sold without lamps, actual light source performance can be varied due to lamps used.

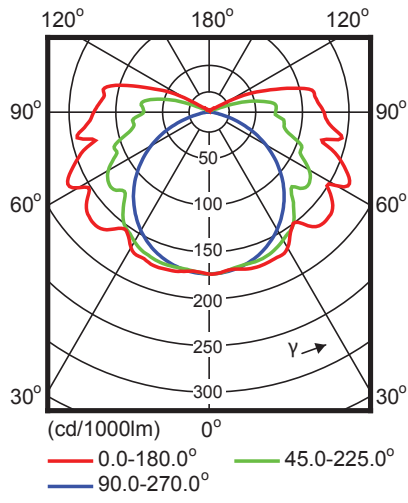
\*\* System power is the tested power of the luminaire.

## Dimension and weight

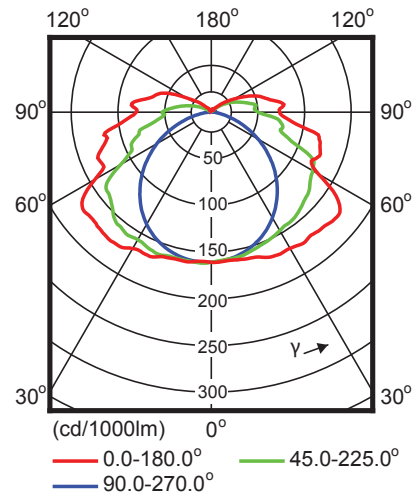


OLUX WATER-PROOF	Luminaire dimension (L/W/H, mm)	Bracket distance (X, mm)	Net weight (kg)	EAN10 dimension (L/W/H, mm)	EAN40 dimension (L/W/H, mm)
1X14W	615X84X80	350	0.62	623X82X65	644X265X294
2X14W	615X113X80	350	0.82	623X109X65	644X236X360
1X28W	1215X84X80	740	1.10	1222X82X65	1241X265X294
2X28W	1215X113X80	740	1.46	1222X109X65	1241X236X294
1X35W	1515X84X80	920	1.40	1523X82X65	1544X265X228
2X35W	1515X113X80	920	1.85	1523X109X65	1544X236X294
1X18W	651X96X92	390	0.85	658X94X70	679X301X314
2X18W	651X131X89	390	1.04	658X132X70	679X282X385
1X36W	1260X96X92	860	1.44	1268X94X70	1289X206X314
2X36W	1260X131X89	860	1.77	1268X132X70	1289X282X243
1X58W	1560X96X92	970	1.78	1568X94X70	1589X206X314
2X58W	1560X131X89	1160	2.28	1568X132X70	1589X282X243

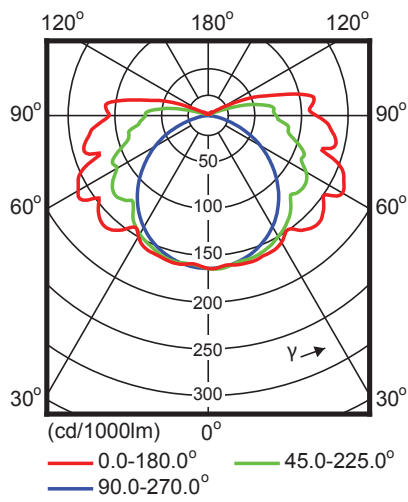
PHOTOMETRICS



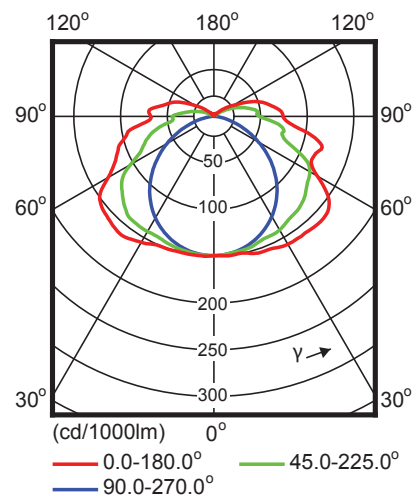
OLUX Water-proof 1X14W



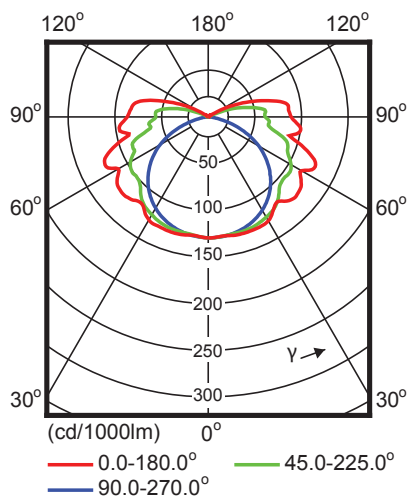
OLUX Water-proof 2X14W



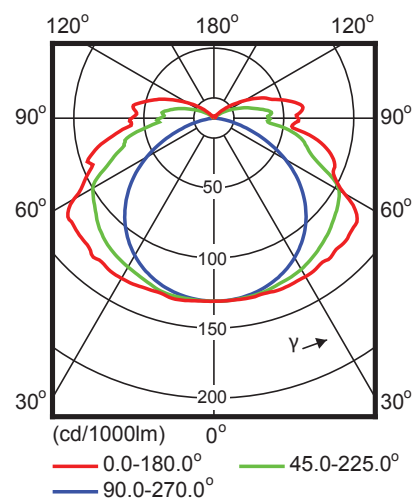
OLUX Water-proof 1X28W



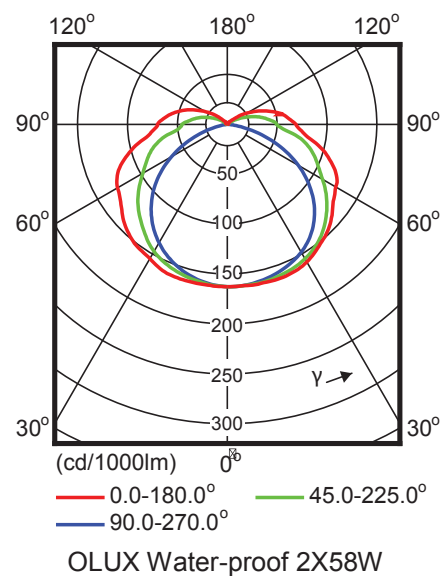
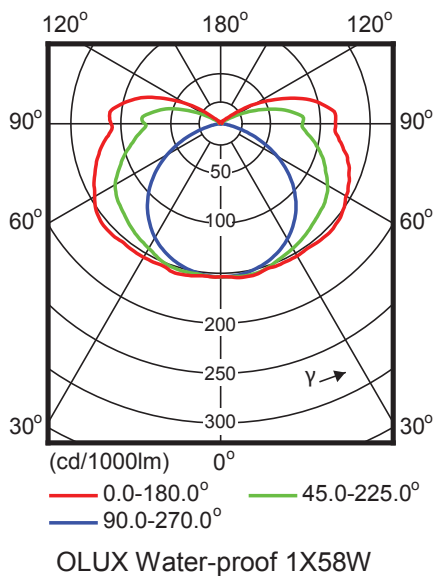
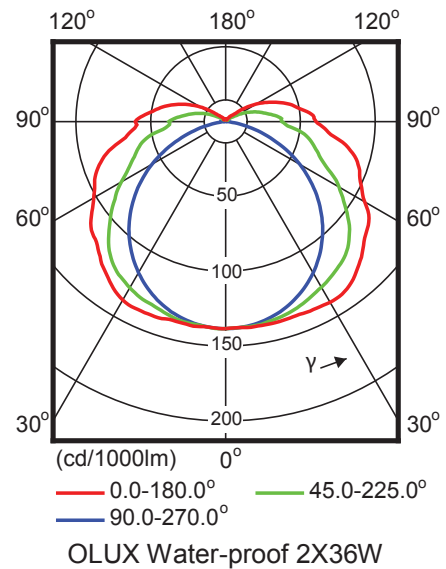
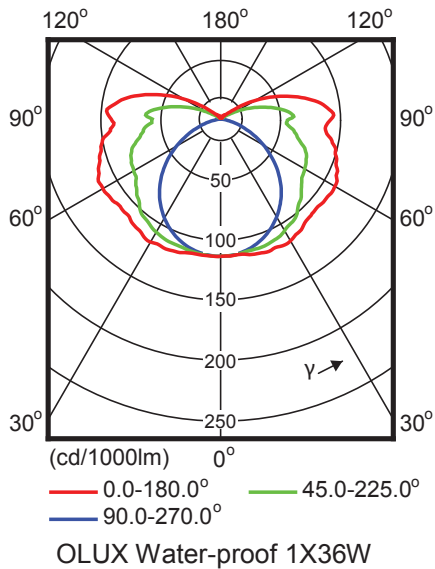
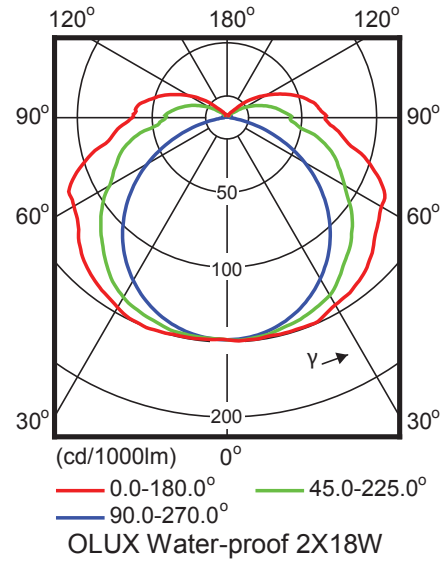
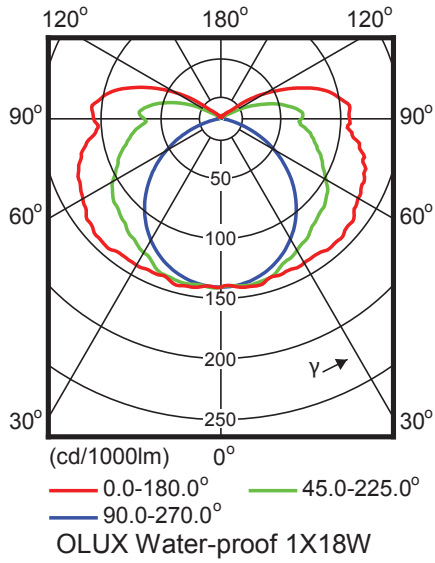
OLUX Water-proof 2X28W



OLUX Water-proof 1X35W



OLUX Water-proof 2X35W



## Logistic Info

### APAC version (CB, CE)

Material Description	Lamp (not included)	EAN10	EAN40	Shipping Unit
OLUX WATER-PROOF 1X14W 12X1 OSRAM	T5, G5	4052899027367	4052899027374	12
OLUX WATER-PROOF 2X14W 10X1 OSRAM	T5, G5	4052899027381	4052899027398	10
OLUX WATER-PROOF 1X28W 12X1 OSRAM	T5, G5	4052899027404	4052899027411	12
OLUX WATER-PROOF 2X28W 8X1 OSRAM	T5, G5	4052899027428	4052899027435	8
OLUX WATER-PROOF 1X35W 9X1 OSRAM	T5, G5	4052899027442	4052899027459	9
OLUX WATER-PROOF 2X35W 8X1 OSRAM	T5, G5	4052899027466	4052899027473	8
OLUX WATER-PROOF 1X18W 12X1 OSRAM	T8, G13	4052899027602	4052899027619	12
OLUX WATER-PROOF 2X18W 10X1 OSRAM	T8, G13	4052899027626	4052899027633	10
OLUX WATER-PROOF 1X36W 8X1 OSRAM	T8, G13	4052899027640	4052899027657	8
OLUX WATER-PROOF 2X36W 6X1 OSRAM	T8, G13	4052899027664	4052899027671	6
OLUX WATER-PROOF 1X58W 8X1 OSRAM	T8, G13	4052899027688	4052899027695	8
OLUX WATER-PROOF 2X58W 6X1 OSRAM	T8, G13	4052899027701	4052899027718	6

### OCN version (CCC, CE)

Material Description	Lamp (not included)	EAN10	EAN40	Shipping Unit
OLUX WATER-PROOF 1X14W 12X1 CN OSRAM	T5, G5	4052899027244	4052899027251	12
OLUX WATER-PROOF 2X14W 10X1 CN OSRAM	T5, G5	4052899027268	4052899027275	10
OLUX WATER-PROOF 1X28W 12X1 CN OSRAM	T5, G5	4052899027282	4052899027299	12
OLUX WATER-PROOF 2X28W 8X1 CN OSRAM	T5, G5	4052899027305	4052899027312	8
OLUX WATER-PROOF 1X35W 9X1 CN OSRAM	T5, G5	4052899027329	4052899027336	9
OLUX WATER-PROOF 2X35W 8X1 CN OSRAM	T5, G5	4052899027343	4052899027350	8
OLUX WATER-PROOF 1X18W 12X1 CN OSRAM	T8, G13	4052899027480	4052899027497	12
OLUX WATER-PROOF 2X18W 10X1 CN OSRAM	T8, G13	4052899027503	4052899027510	10
OLUX WATER-PROOF 1X36W 8X1 CN OSRAM	T8, G13	4052899027527	4052899027534	8
OLUX WATER-PROOF 2X36W 6X1 CN OSRAM	T8, G13	4052899027541	4052899027558	6
OLUX WATER-PROOF 1X58W 8X1 CN OSRAM	T8, G13	4052899027565	4052899027572	8
OLUX WATER-PROOF 2X58W 6X1 CN OSRAM	T8, G13	4052899027589	4052899027596	6

## SALES & TECHNICAL SUPPORT

### OSRAM Asia Pacific

30<sup>th</sup> Floor, China Resource Building,  
26 Harbour Road, Wanchai, Hong Kong  
+852 3652 5678  
[www.osram.com](http://www.osram.com)

Sales and technical support is given by the local OSRAM subsidiaries. Complete subsidiaries listing is available at OSRAM homepage.